

**FOR SUBDUED TAB**

**WOODLAND :**

LETTERS AND BORDER TO BE OD 67133.  
BACKGROUND TO BE BLACK 67138.

**DESERT:**

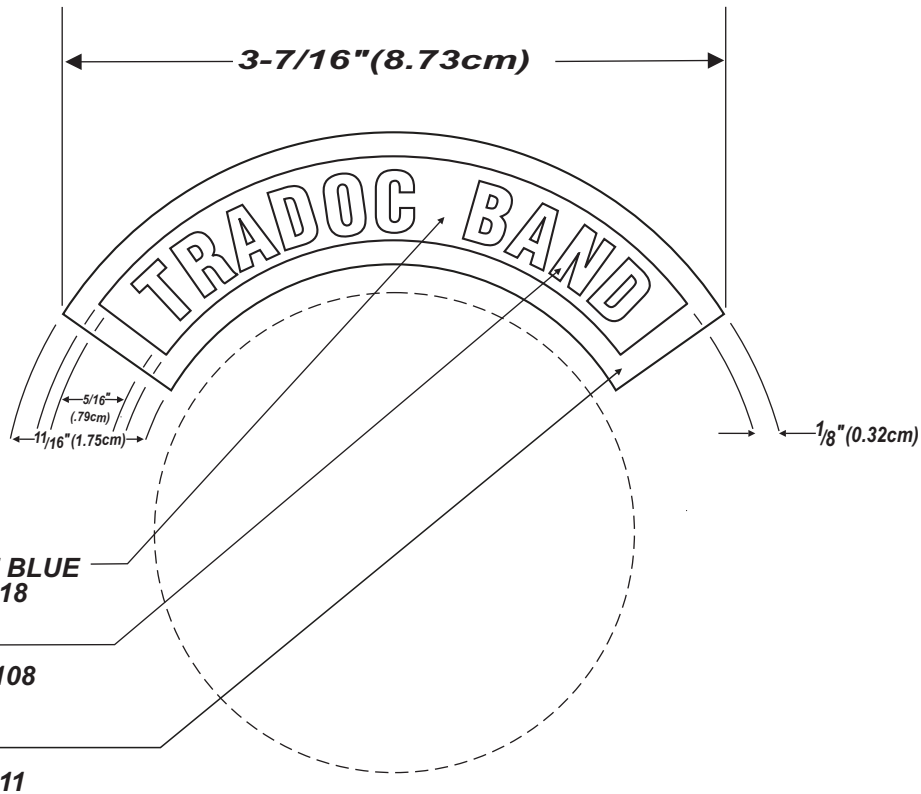
LETTERS AND BORDER TO BE KHAKI 67193.  
BACKGROUND TO BE SPICEBROWN 67196.

**ACU:**

LETTERS AND BORDER TO BE FOLIAGE GREEN  
504 (67202). BACKGROUND TO BE BLACK 67138.

**REVISIONS**

LTR	DESCRIPTION	DATE	APPROVED
B	STITCH COUNT ADDED	13 NOV '06	RLR pm <i>SW/H</i> <i>Charles V. Mugno</i> CHARLES V. MUGNO DIRECTOR



ULTRAMARINE BLUE  
CABLE No. 67118

YELLOW HH  
CABLE No. 67108

SCARLET  
CABLE No. 67111

**DESIGNED FOR OVEREDGE STITCHING**

**STITCH COUNT**

**3682 STITCHES (MINIMUM)**

**90/2 DENIER**

**8/4 SPAN**

UNLESS OTHERWISE SPECIFIED DIMENSIONS ARE IN INCHES TOLERANCES ON FRACTIONS DECIMALS ANGLES

EXAMINED	<i>SW/H</i>	
CHECKED	JAS	pm
PREPARED	RLR	
APPROVED	<i>Charles V. Mugno</i> CHARLES V. MUGNO DIRECTOR	

THE INSTITUTE OF HERALDRY, DEPARTMENT OF THE ARMY  
9325 GUNSTON RD. S-112 FORT BELVOIR, VA 22060-5579

**TAB**  
**UNITED STATES ARMY**  
**TRAINING and DOCTRINE**  
**COMMAND BAND**

SIZE	CONTROL IDENT. NO	<b>A - 1 - 892</b>
<b>A</b>	<b>22571</b>	
SCALE	DATE	
FULL	9 JUNE 2006	

MATERIALS:  
TO BE MANUFACTURED  
IN ACCORDANCE WITH  
MIL-DTL-14652